

BELLMONT

CABINET CO.

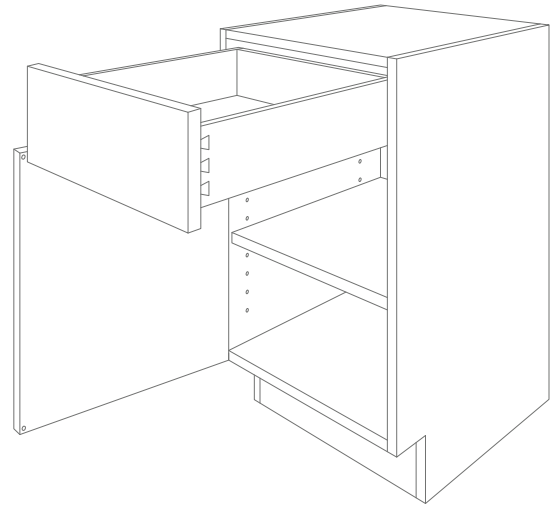
SERIES COMPARISON

1600

FORM, FUNCTION, & VALUE

Smart, innovative design allows you to meet budget boundaries without compromising personal style or construction quality.

1600 & 1900 SERIES

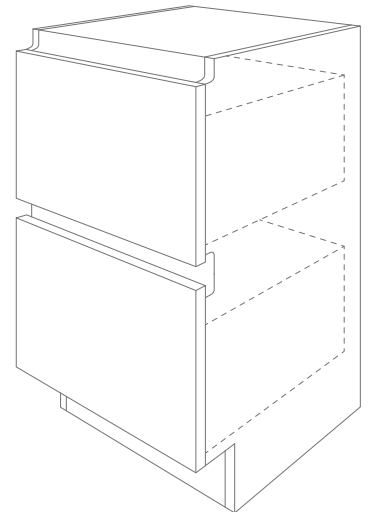


1900

ENDLESS STYLE & OPTIONS

The beauty of strength and versatility combined with affordable custom capabilities, allowing form and function to live in harmony.

VERO SERIES



VERO

TRUE EURO DESIGN

Italian influenced design with a simple linear rail system, provides a continuous “no handle” appearance uninterrupted by door or drawer hardware, a sleek finger space and contrasting metal finish.

CABINET CONSTRUCTION:

1600

1900

VERO

Case Material: (sides, top, bottom & shelves)

- Industrial grade particleboard (standard)	5/8"	3/4"	3/4"
- Plywood	5/8"	3/4"	-
- Grey Plywood	-	3/4"	3/4"

Construction:

- Full-top construction	X	X	X
- 1/4" captured back panel	X	X	X
- 5/8" concealed hanging rail	X	X	X
- Assembled with concealed hardwood dowels	X	X	X
- Solid color PVC edge banding on all box parts	X	X	Grey Only
- Door matched PVC banding on factory finished ends	X	X	-
- Real wood veneer box banding for wood door styles (optional)	-	X	-
- 6-way adjustable, soft-close, quick release hinges with 105° door opening	X	X	X
- Permanently drilled in door and drawer bumpers	X	X	X
- Full-depth shelves, supported on adjustable steel shelf pins (1.25" increments)	X	X	X
- Decrease modifications H, W, D	1/4" Increments	1/8" Increments	1/8" Increments*
- Limited lifetime warranty (To original purchaser for as long as you own the home.)	X	X	X

CABINET INTERIOR:

- White melamine (standard)	X	X	-
- Grey melamine	X	X	X
- Simulated Maple woodgrain melamine	X	X	-
- Plywood w/UV cured clear top coat	X	X	-
- Grey Plywood w/UV cured clear top coat	-	X	X
- EcoCore w/simulated Maple woodgrain melamine	-	X	-

DRAWERS:

1600 Series: Access Wood Drawer (standard)	X	-	-
- 1/2" solid Poplar wood box, dovetail joinery, and 1/4" MDF melamine captive bottom with adjustable full-extension soft-close undermount guides. 75lb load capacity.			
1900 Series: Birch Wood Drawer (standard)	-	X	-
- 5/8" solid Birch wood box, dovetail joinery, and 1/4" Birch plywood captive bottom with adjustable full-extension soft-close undermount guides. 75lb load capacity.			
Satino Drawer	X	X	-
- Grey epoxy-powder coated steel sides and 5/8" thick drawer bottom with adjustable full-extension soft-close undermount guides. 75lb load capacity.			
Heritage Wood Drawer	-	X	-
- 5/8" solid natural finished Alder, dovetail joinery and 1/4" captive bottom with adjustable full-extension soft-close undermount guides. 75lb load capacity.			
Legra Drawer	-	X	X
- 1/2" grey powder coated steel and 5/8" thick drawer bottom with adjustable full-extension soft-close undermount guides. 88lb load capacity.			
Legra Tip-On	-	X	-

DOORS:

- Hardwood material grade for stile & rail constructed doors	Character	Furniture	-
- Wood veneer doors material grade	A Grade	A Grade	A Grade
- Standard wood collection (Alder, Rustic Alder, Cherry, Maple, Red Oak)	X	X	Cherry
- Specialty wood species (Sapele, Walnut, Rift White Oak)	-	X	X
- Metal frame doors with glass inserts	X	X	X
- Wood frame doors with acrylic inserts	-	X	-

FINISHING:

- Wood door edge profile options	-	X	-
- Multiple stain and paint combinations	X	X	X
- Clear conversion vanish top coat - 5% (matte)	X	X	X
- Specialty paint finishes: Villa (sand through & distressing) or Heirloom (dry brush)	-	X	-
- Sherwin Williams "Color Select Program"	-	X	X

*Limited Restrictions