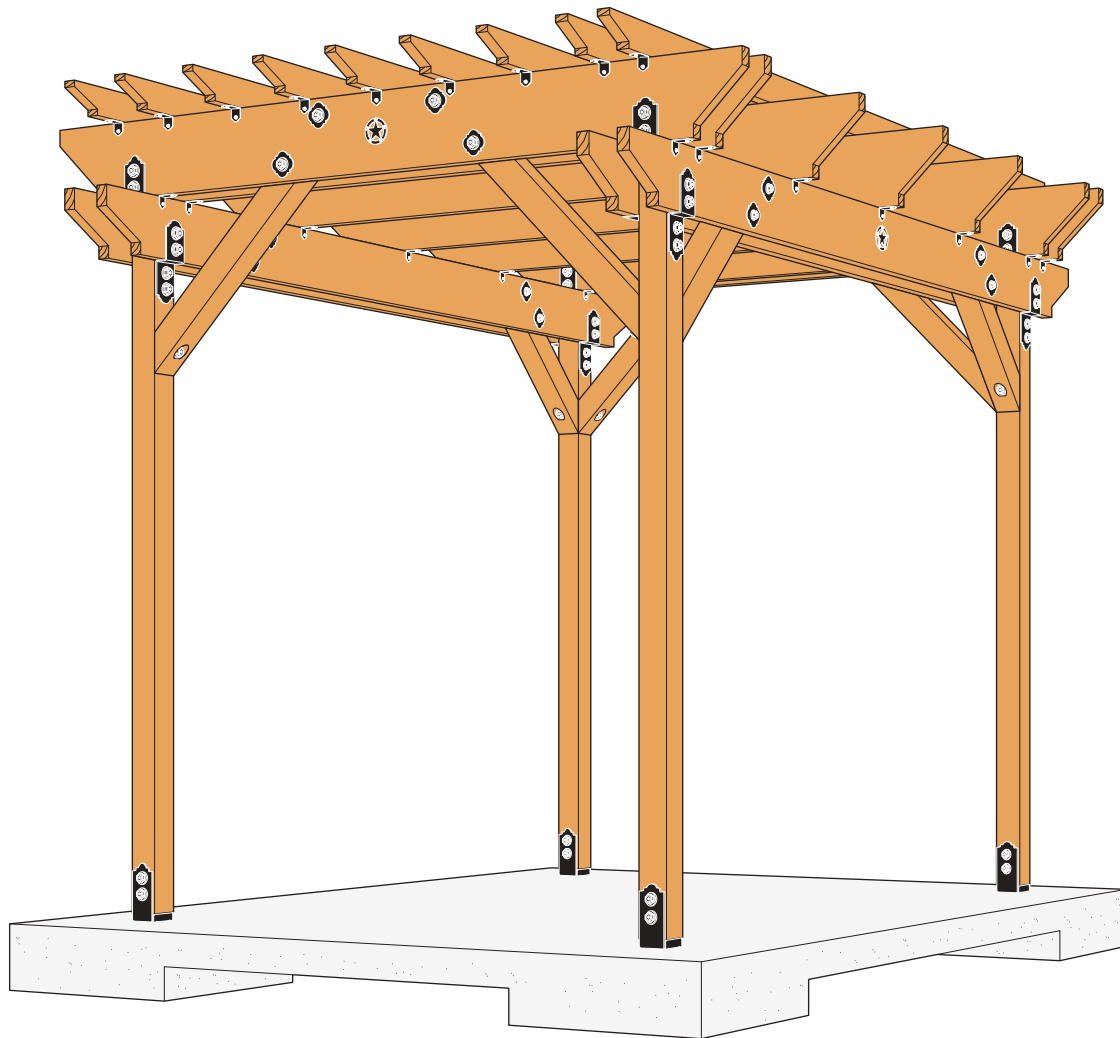


Note: Your use of these Drawings/Plans must be reviewed and approved by qualified professionals familiar with all applicable building codes. Do not use these Drawings/Plans without consulting a qualified engineer and determining whether a building permit is required. The specific design and location of the structure, the building materials used, the quality of construction, the condition of the soils or substrates involved, and site-specific loading due to the particular characteristics of potential impact events such as earthquakes and high velocity winds will affect the strength and safety of the structure or project. For important information, please review the applicable Simpson Strong-Tie catalogs and other information available at www.strongtie.com related to the products shown in the Drawings/Plans.

Sheet List

Sheet Number	Sheet Name
S1	Perspective View
S2	Foundation Plan
S3	Roof Plan
S4	Elevation 1
S5	Elevation 2
S6	Material Take Off Framing
S7	Material Take Off Connector



Perspective View



SIMPSON Strong-Tie, Co. Inc.

- 5956 W. Las Positas Blvd. Pleasanton, CA 94588
- Tel: (800) 999-5099
- Product Information: www.strongtie.com/outdooraccents
- Technical or Product Questions: www.strongtie.com/asksimpson

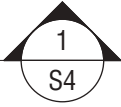
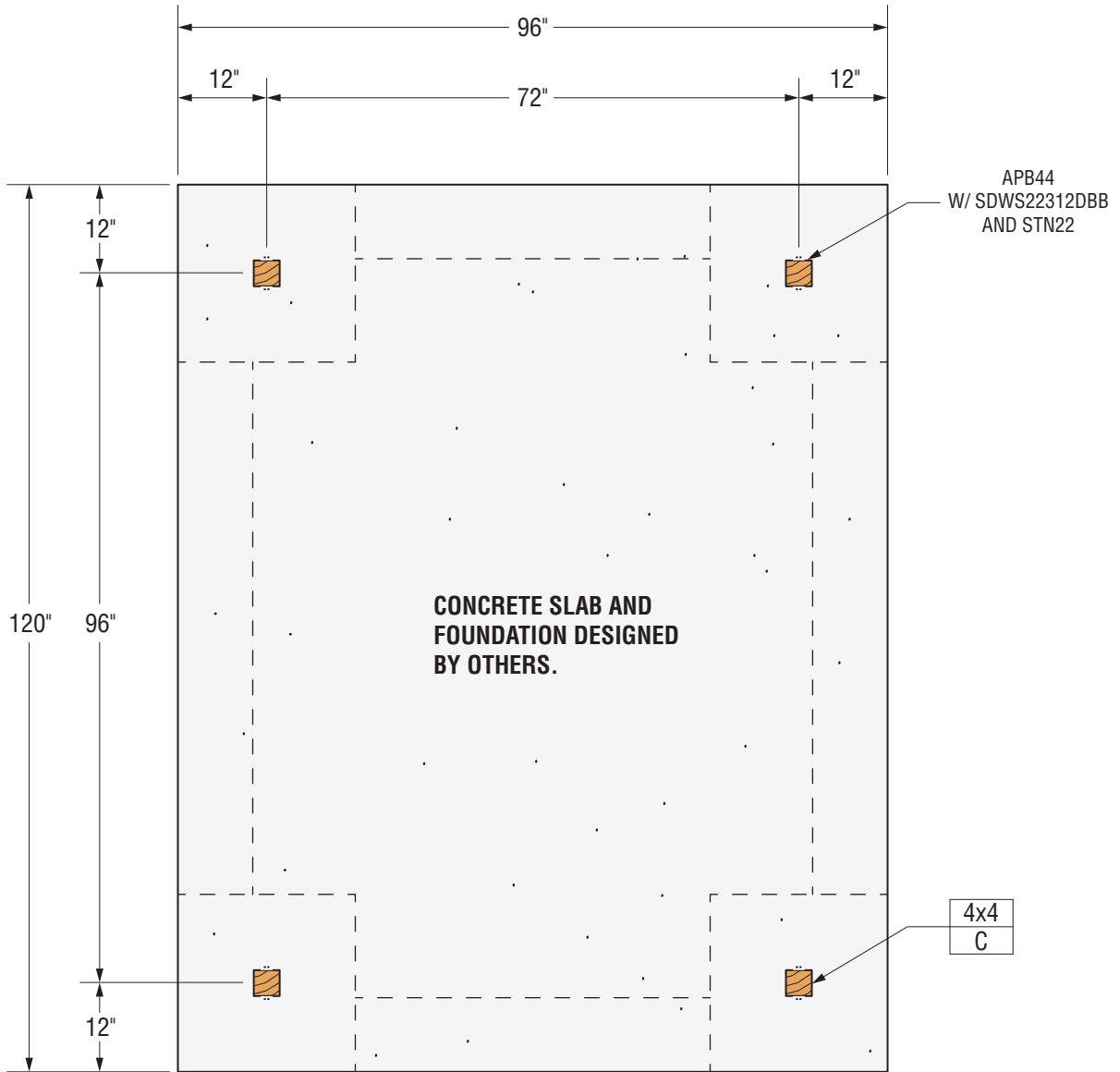
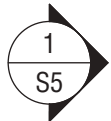
Outdoor Accents
decorative hardware
10x8 Pergola Plans

ES-191844

Date: 04/25/2019

Scale: Drawn to Scale

Sheet no.: S1 of 7



Foundation Plan

WARNING: See Sheet 1 for important safety information. Use is subject to License Agreement and Terms



SIMPSON Strong-Tie, Co. Inc.

- 5956 W. Las Positas Blvd. Pleasanton, CA 94588
- Tel: (800) 999-5099
- Product Information: www.strongtie.com/outdooraccents
- Technical or Product Questions: www.strongtie.com/asksimpson

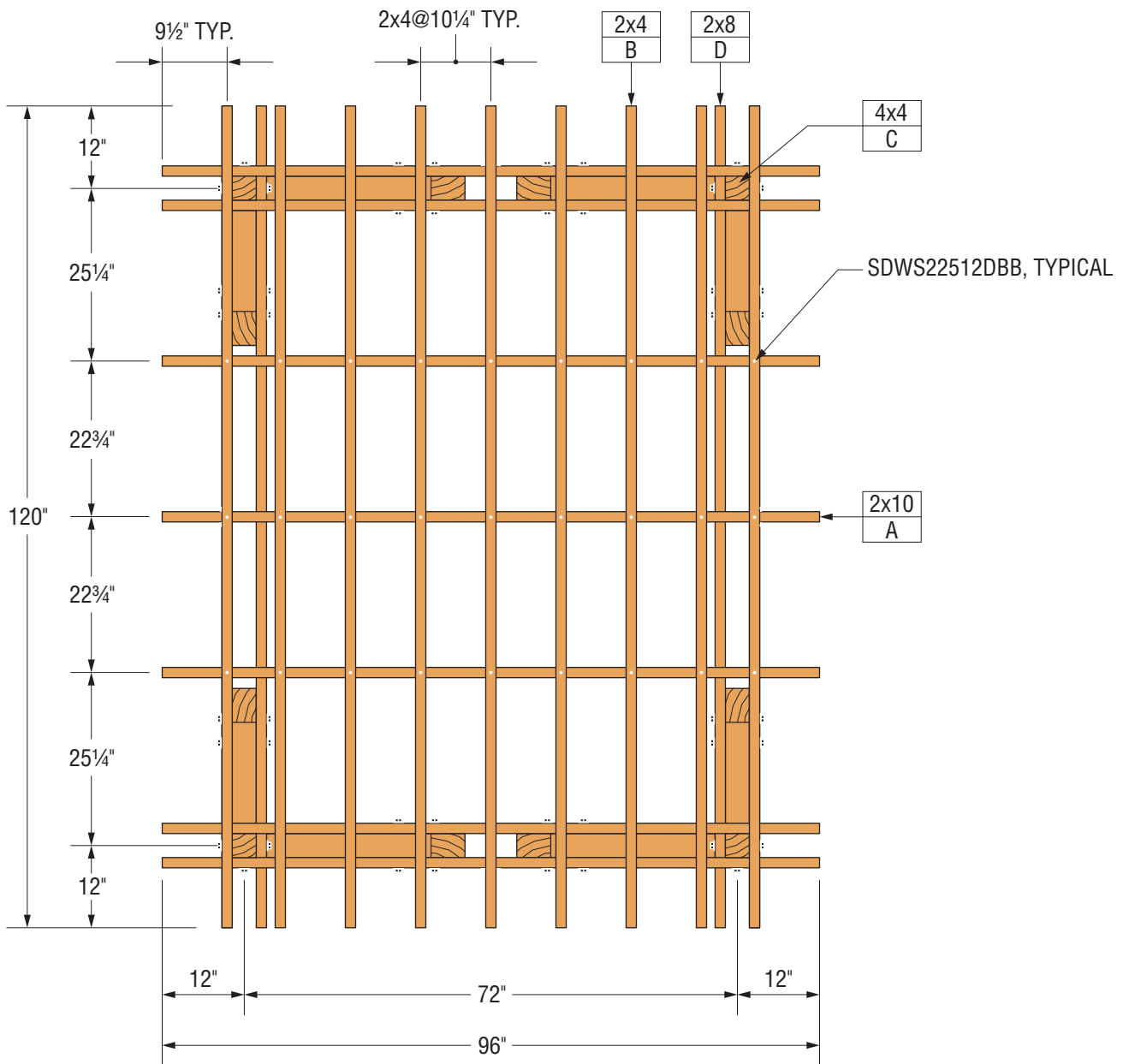
Outdoor Accents
decorative hardware
10x8 Pergola Plans

ES-191844

Date: 04/25/2019

Scale: Drawn to Scale

Sheet no.: S2 of 7



Roof Plan

WARNING: See Sheet 1 for important safety information. Use is subject to License Agreement and Terms



SIMPSON Strong-Tie, Co. Inc.

- 5956 W. Las Positas Blvd. Pleasanton, CA 94588
- Tel: (800) 999-5099
- Product Information: www.strongtie.com/outdooraccents
- Technical or Product Questions: www.strongtie.com/asksimpson

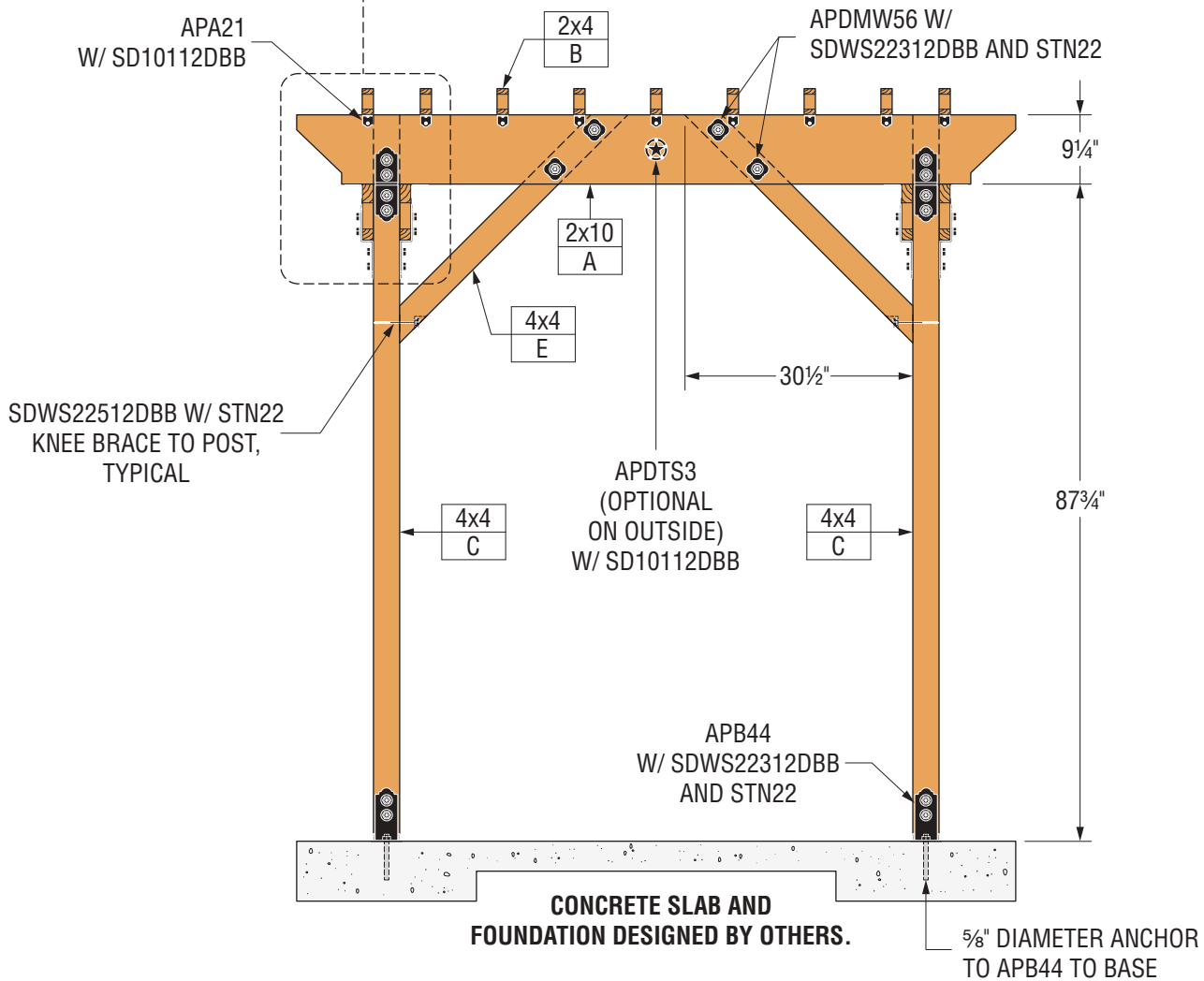
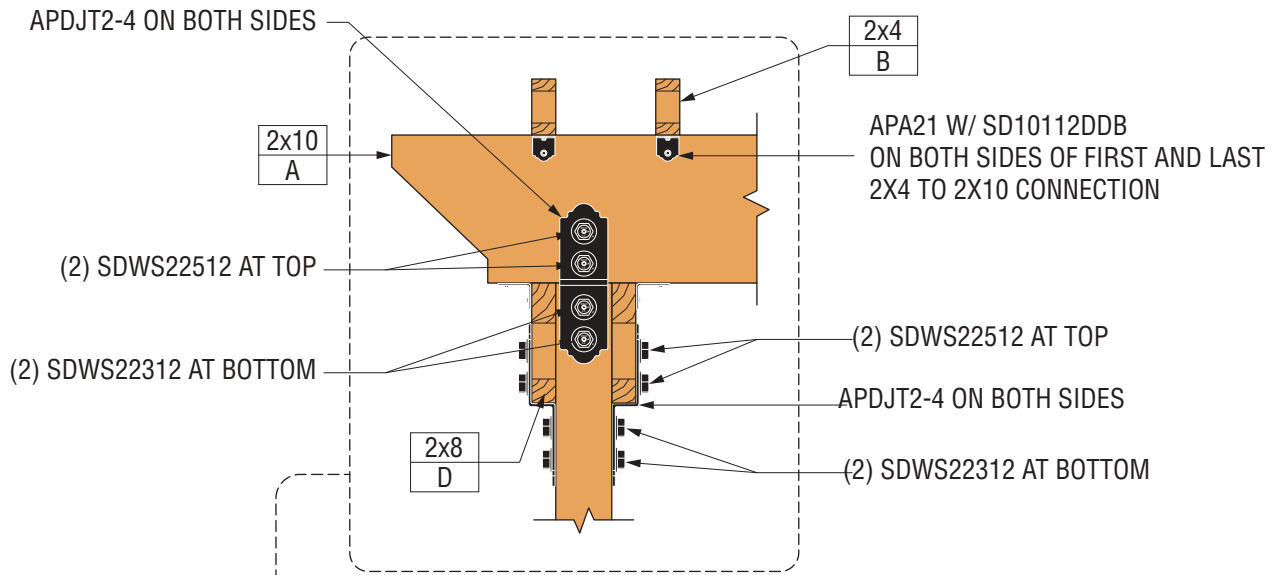
Outdoor Accents
decorative hardware
10x8 Pergola Plans

ES-191844

Date: 04/25/2019

Scale: Drawn to Scale

Sheet no.: S3 of 7



Elevation 1

WARNING: See Sheet 1 for important safety information. Use is subject to License Agreement and Terms



SIMPSON Strong-Tie, Co. Inc.

• 5956 W. Las Positas Blvd. Pleasanton, CA 94588
 • Tel: (800) 999-5099
 • Product Information: www.strongtie.com/outdooraccents
 • Technical or Product Questions: www.strongtie.com/asksimpson

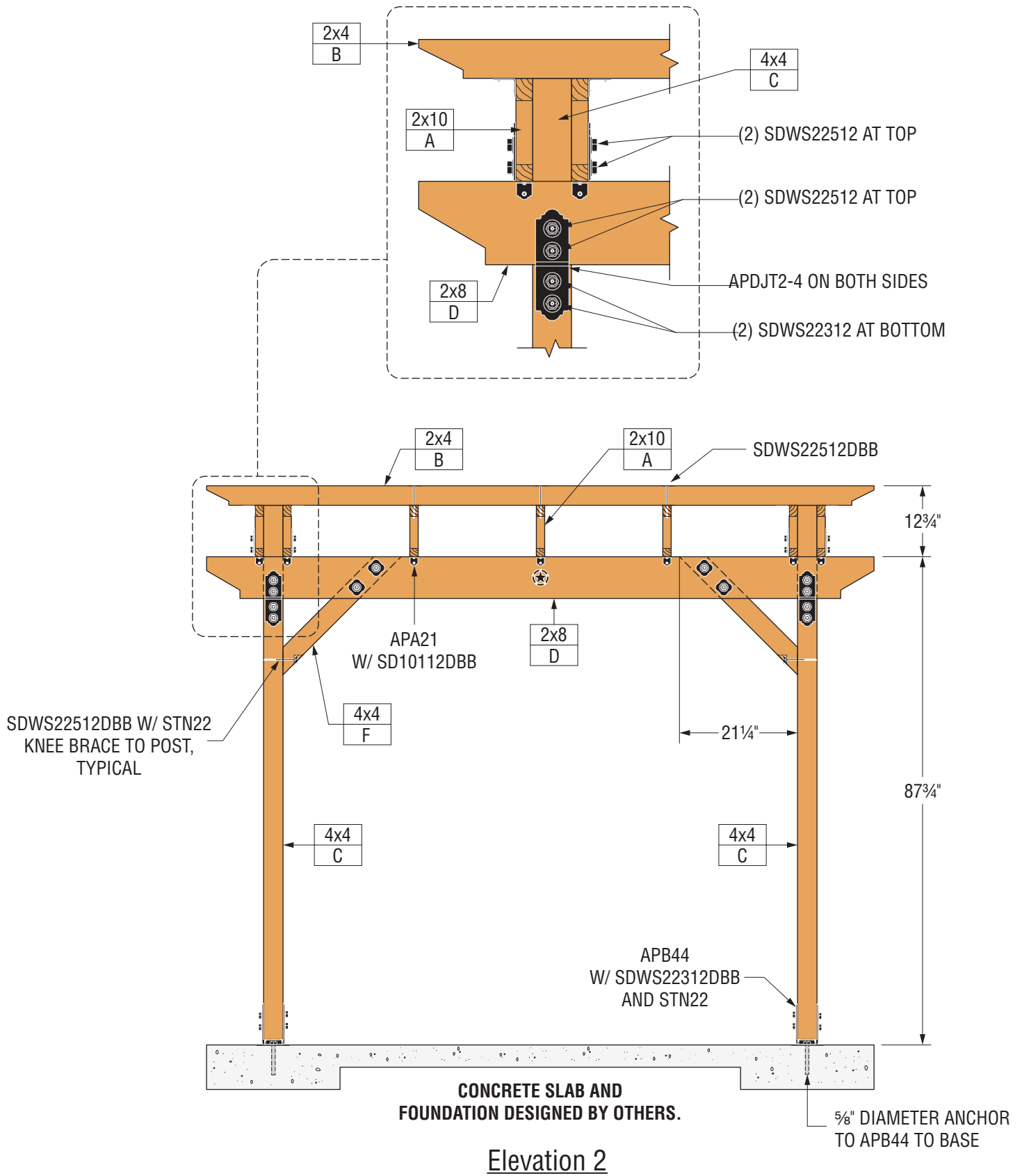
Outdoor Accents
 decorative hardware
10x8 Pergola Plans

ES-191844

Date: 04/25/2019

Scale: Drawn to Scale

Sheet no.: S4 of 7



WARNING: See Sheet 1 for important safety information. Use is subject to License Agreement and Terms



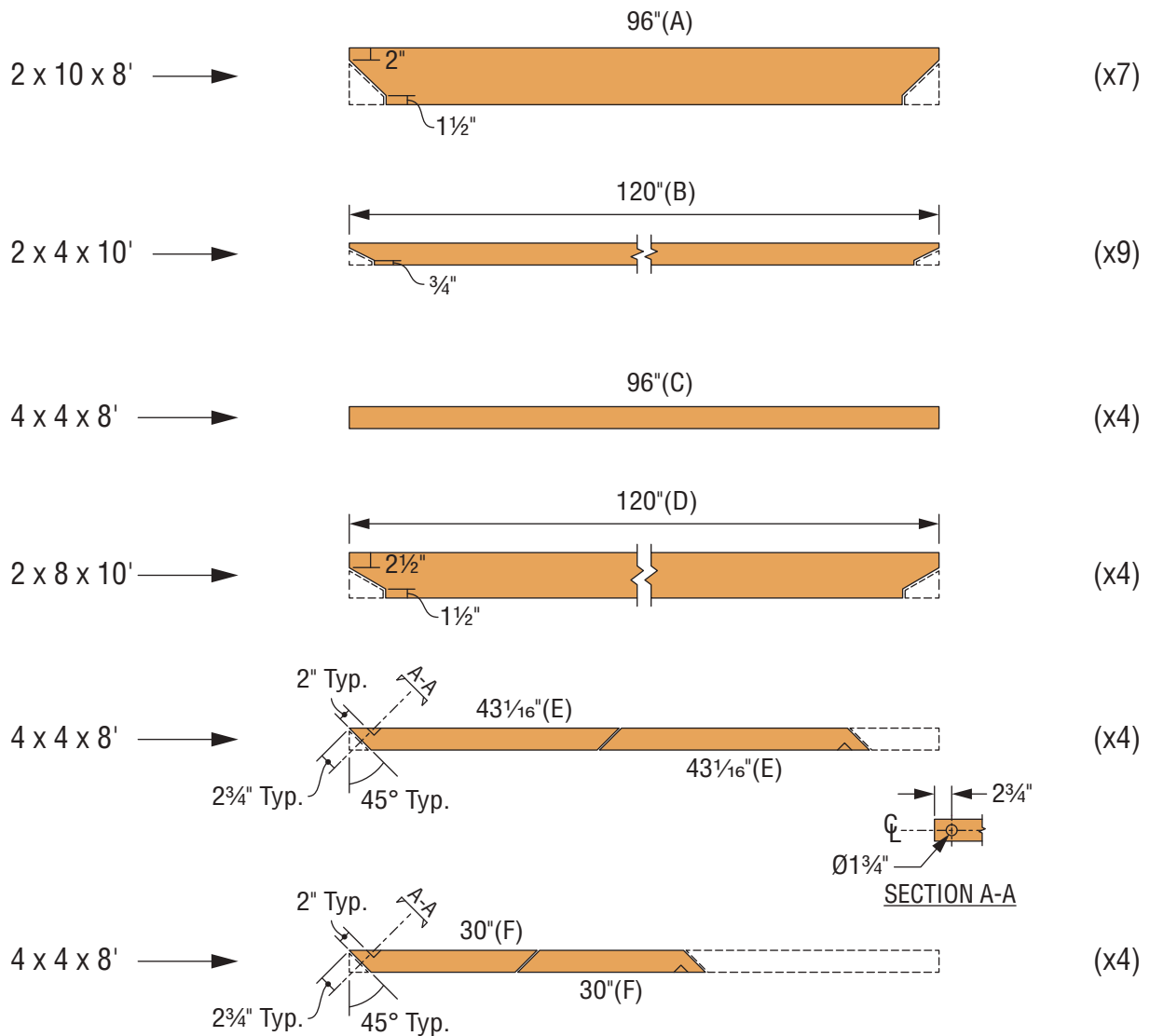
SIMPSON Strong-Tie, Co. Inc.
 • 5956 W. Las Positas Blvd. Pleasanton, CA 94588
 • Tel: (800) 999-5099
 • Product Information: www.strongtie.com/outdooraccents
 • Technical or Product Questions: www.strongtie.com/asksimpson

Outdoor Accents
 decorative hardware
10x8 Pergola Plans

ES-191844

Date: 04/25/2019
 Scale: Drawn to Scale
 Sheet no.: S5 of 7

Framing Schedule			
Model	Quantity	Mark	Cut Length
2x10	7	A	96"
2x4	9	B	120"
4x4	4	C	96"
2x8	4	D	120"
4x4	4	E	43 $\frac{1}{16}$ "
4x4	4	F	30"



WARNING: See Sheet 1 for important safety information. Use is subject to License Agreement and Terms



SIMPSON Strong-Tie, Co. Inc.

• 5956 W. Las Positas Blvd. Pleasanton, CA 94588
 • Tel: (800) 999-5099
 • Product Information: www.strongtie.com/outdooraccents
 • Technical or Product Questions: www.strongtie.com/asksimpson

Outdoor Accents
 decorative hardware
10x8 Pergola Plans

ES-191844

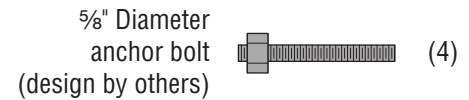
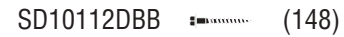
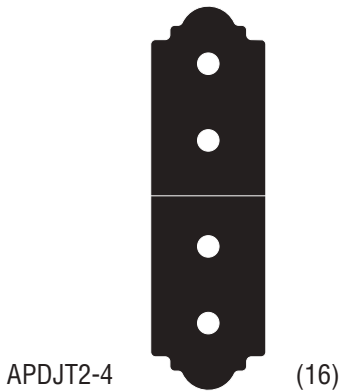
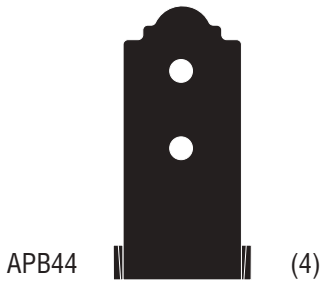
Date: 04/25/2019

Scale: Drawn to Scale

Sheet no.: S6 of 7

Simpson's Connector Schedule

Model	Quantity
APB44	4
APDJT2-4	16
APDMW56	32
APA21	64
STN22	120
APDTS3	4
SD10112DBB	148
SDWS22512DBB	67
SDWS22312DBB	80
5/8" Diameter anchor	4



WARNING: See Sheet 1 for important safety information. Use is subject to License Agreement and Terms



SIMPSON Strong-Tie, Co. Inc.

- 5956 W. Las Positas Blvd. Pleasanton, CA 94588
- Tel: (800) 999-5099
- Product Information: www.strongtie.com/outdooraccents
- Technical or Product Questions: www.strongtie.com/asksimpson

Outdoor Accents
decorative hardware
10x8 Pergola Plans

ES-191844

Date: 04/25/2019

Scale: Drawn to Scale

Sheet no.: S7 of 7